

IMPROVE YOUR STORAGE EFFICIENCY:

AI Storage Solutions for High Performance, Flexibility and Scalability

PNY

NetApp®



PNY, Your Key Solution Partner in the AI Ecosystem

PNY Technologies is leading the way in AI innovation, setting new standards in the industry. As a key partner, PNY offers end-to-end solutions in the AI ecosystem, including compute, storage, networking, and complete software stack. With our deep expertise, we can define what are the best applications and storage strategies that will help you on your journey to AI.

BENEFITS OF AI STORAGE



Data Protection and Security

AI storage solutions come with robust security features. This includes encryption, access controls, and auditing capabilities.



Flexibility and Adaptability

AI storage solutions are designed to be flexible and adaptable to different types of AI workloads.



Advanced Analytics and Data Insights

Optimized AI storage can help support those analytics, and more accurate, insightful, and responsive to real-time data.



Automation of Routine Tasks

AI storage can automate many routine storage management tasks, such as provisioning, data migration, and backup.

About NetApp

NetApp® AI delivers industry-leading AI technology for your most demanding analytic workloads, with the deployment simplicity and ease of management that you need.

BENEFITS

- ✓ Flexible reference architectures
- ✓ Integrated infrastructures
- ✓ Fully managed services

WHY NVIDIA® + NETAPP®?

- Simplify, scale, and integrate your data pipeline for deep learning with the ONTAP AI proven architecture, powered by NVIDIA DGX BasePOD™ and NetApp cloud-connected all-flash storage.
- NetApp provides certified storage solutions tailored for NVIDIA's DGX™ ensuring seamless integration.

FOR MORE INFORMATION:

Contact your [PNY representative](#) or email PNYPRO@PNY.EU

PNY Technologies Europe, ZAC du Phare, 9 rue Joseph Cugnot, 33708 Mérignac cedex, France | Tel +33 (0)5 40 240 240 | WWW.PNY.EU
© 2024 PNY Technologies, Inc. All rights reserved. The PNY logo is a registered trademark of PNY Technologies, Inc. All other trademarks are the property of their respective owners. Features and specifications subject to change without notice. - © 2024 NetApp, Inc. All Rights Reserved. NETAPP, the NETAPP logo, and the marks listed at <http://www.netapp.com/TM> are trademarks of NetApp, Inc. Other company and product names may be trademarks of their respective owners. - © 2024 NVIDIA Corporation. All rights reserved. NVIDIA, the NVIDIA logo, NVIDIA DGX, NVIDIA DGX H100 and NVIDIA DGX BasePOD are trademarks and/or registered trademarks of NVIDIA Corporation. All company and product names are trademarks or registered trademarks of the respective owners with which they are associated. - ACMK0822

PNY

IMPROVE YOUR STORAGE EFFICIENCY:

AI Storage Solutions for High Performance, Flexibility and Scalability



ONTAP AI: Solution Architecture

ONTAP AI is built on a verified architecture that combines NVIDIA DGX BasePOD™, NetApp AFF storage, and NVIDIA networking to supercharge your AI and deep learning environments.

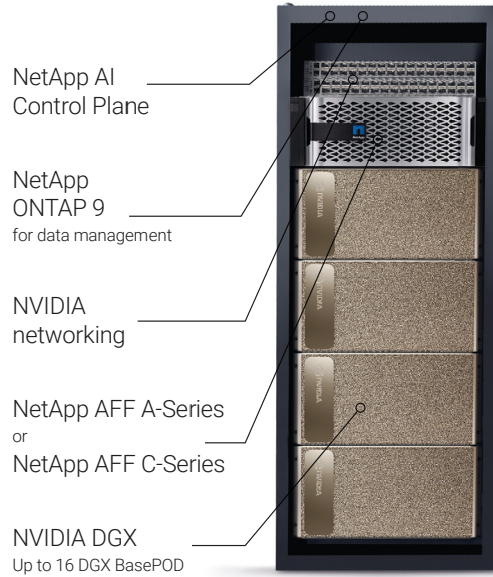


KEY BENEFITS

- ✓ Flexible
- ✓ Performance
- ✓ Unify AI workloads
- ✓ Integrated data pipeline

ONTAP AI consolidates a data center's worth of analytics, training, and inference compute into a single, 32-petaflop AI system.

ARCHITECTURE



NetApp AFF A-Series

KEY BENEFITS

- ✓ Powerful
- ✓ Smart
- ✓ Secure



A combination of top-tier speed, effortless native cloud integration, and unparalleled security.

NetApp AFF C-Series

KEY BENEFITS

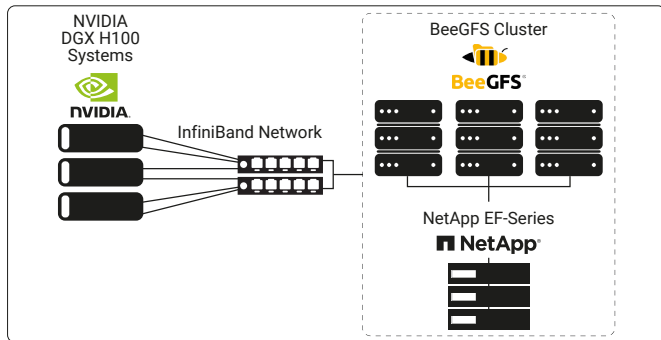
- ✓ Reduce TCO
- ✓ Performance
- ✓ Data secure



Durable, scalable, and secure flash storage, offering all the capacity you need at an affordable price.

NetApp EF-Series & BeeGFS: DGX SuperPOD Solution Architecture

- EF-Series arrays combine impressive IOPS, microsecond response times, and throughput capacity.
- BeeGFS is the parallel file system between EF-Series and NVIDIA DGX system.



NetApp EF-Series

KEY BENEFITS

- ✓ Performance
- ✓ Enterprise value
- ✓ Flexible



EF-Series offer both affordability and performance, providing a favorable quality-to-price ratio.

FOR MORE INFORMATION:

Contact your [PNY representative](#) or email PNYPRO@PNY.EU

PNY Technologies Europe, ZAC du Phare, 9 rue Joseph Cugnot, 33708 Mérignac cedex, France | Tel +33 (0)5 40 240 240 | WWW.PNY.EU

© 2024 PNY Technologies, Inc. All rights reserved. The PNY logo is a registered trademark of PNY Technologies, Inc. All other trademarks are the property of their respective owners. Features and specifications subject to change without notice. - © 2024 NetApp, Inc. All Rights Reserved. NETAPP, the NETAPP logo, and the marks listed at <http://www.netapp.com/TM> are trademarks of NetApp, Inc. Other company and product names may be trademarks of their respective owners. - © 2024 NVIDIA Corporation. All rights reserved. NVIDIA, the NVIDIA logo, NVIDIA DGX, NVIDIA DGX H100 and NVIDIA DGX BasePOD are trademarks and/or registered trademarks of NVIDIA Corporation. All company and product names are trademarks or registered trademarks of the respective owners with which they are associated. - ACMK0822

